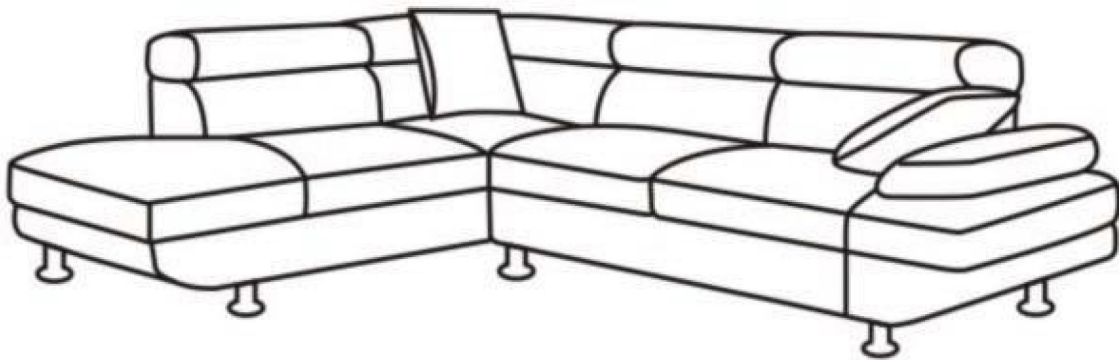


# Assembly Instructions



## ASSEMBLY RATING

The Assembly Rating is a 5-point system that shows the degree of effort needed in assembling a specific product (with 1 being easy and 5 being difficult). For some products, two persons are recommended.

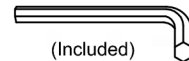
EASY



DIFFICULT

## Tools Required For Assembly:

Allen Wrench



(Included)

Phillips Screwdriver



(Not Included)

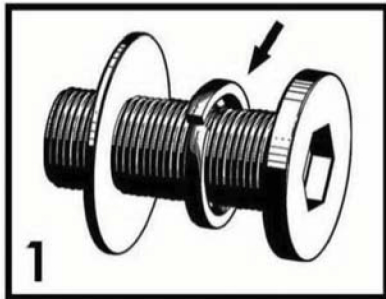


2 PERSONS RECOMMENDED

# ASSEMBLY & CARE ADVICE

FOR YOUR FURNITURE TO LAST, CORRECT ASSEMBLY AND PROPER MAINTENANCE ARE NECESSARY. PLEASE FOLLOW THE INFORMATION PROVIDED BELOW TO FULLY ENJOY YOUR FURNITURE.

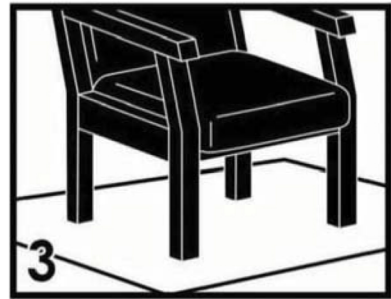
## BASIC ASSEMBLY TECHNIQUES



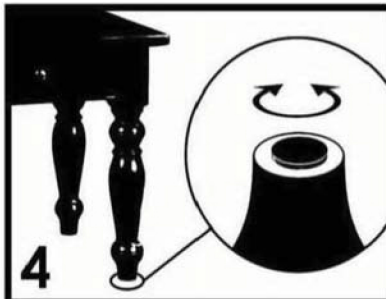
When lock or spring washer is used in an assembly, please make sure the lock or spring washer is placed between the larger flat washer and the head of the screw or bolt.



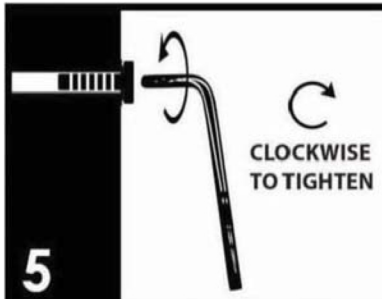
Position each part correctly and insert screws or bolts into their respective holes by hand tighten or using the proper hand tool. Only tighten when step is completed or when instructed to do so.



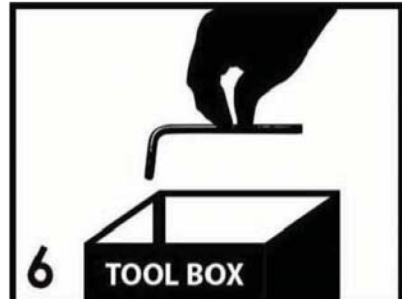
Use cardboard or carpet area when assembling furniture to prevent scratches. Make sure the furniture rests on a flat and level surface with each leg evenly touching the floor.



Some furniture comes with height adjustment knobs underneath each leg. To lower or to raise each leg, you need to turn clockwise or counterclockwise, respectively.



Make sure all parts are properly aligned, then use the appropriate hand tool to completely tighten the bolts or screws. Do not use power tools and do not overtighten.

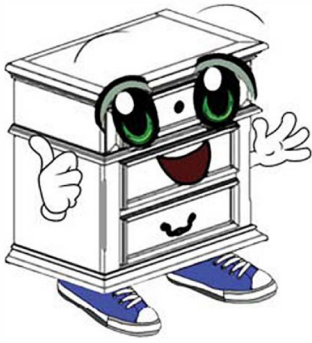


Save the instructions and store the Allen wrench or any supplied tool for later maintenance. After two weeks, check and tighten any loose hardware and repeat again every six months thereafter.

IT IS THE USER'S RESPONSIBILITY TO MAINTAIN THE FURNITURE. THE HARDWARE MAY LOOSEN OVER TIME AND MAY CAUSE THE FURNITURE TO BE WOBBLY AND UNABLE TO SUPPORT ITS INTENDED WEIGHT CAPACITY. THIS MAY LEAD TO COLLAPSE AND MAY CAUSE SERIOUS INJURY.



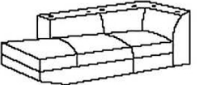
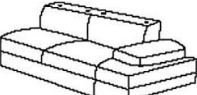


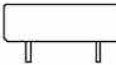
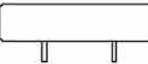
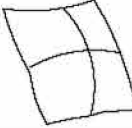

**FAILURE TO FOLLOW THE GUIDELINES ABOVE MAY RESULT IN INJURY AND/OR PROPERTY DAMAGE.**



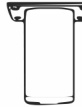


Before you begin, please read Page 2 of "Assembly and Care Advice" .





And remember, do not tighten until each step is completed or instructed.

### Parts List

-  #1x1pc  
Chaise
-  #2x1pc  
Sofa
-  #3x1pc  
Headrest
-  #4x2pcs  
Headrest
-  #5x1pc  
Headrest
-  #6x1pc  
Headrest
-  #7x2pcs  
Piiow
-  #8x4pcs  
Wheel

-  #9x1pc  
Right Connect Piece
-  #10x1pc  
Left Connect Piece
-  #11 x 6pcs  
Leg

### Hardware List

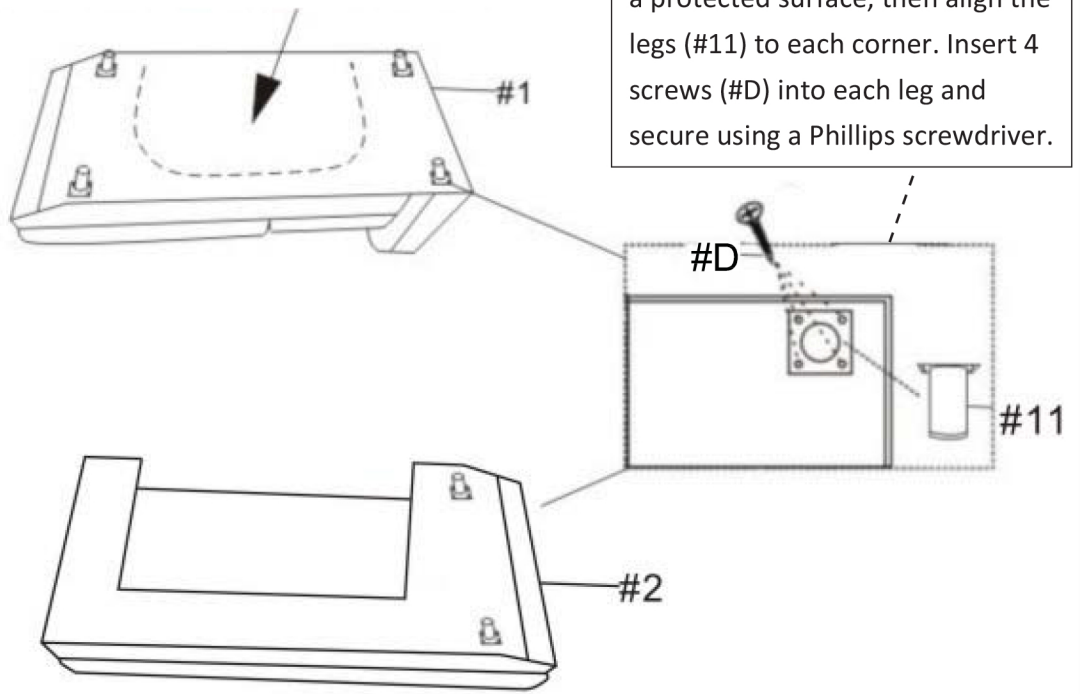
-  #Ax1pc  
Allen Wrench
-  #B x 6pcs  
Bolt 1/4" X1-5/8"
-  #Cx4pcs  
Bolt 1/4" X1-3/8"
-  #D x 40pcs  
Screw



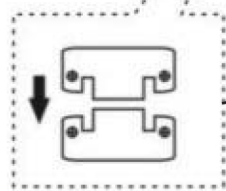
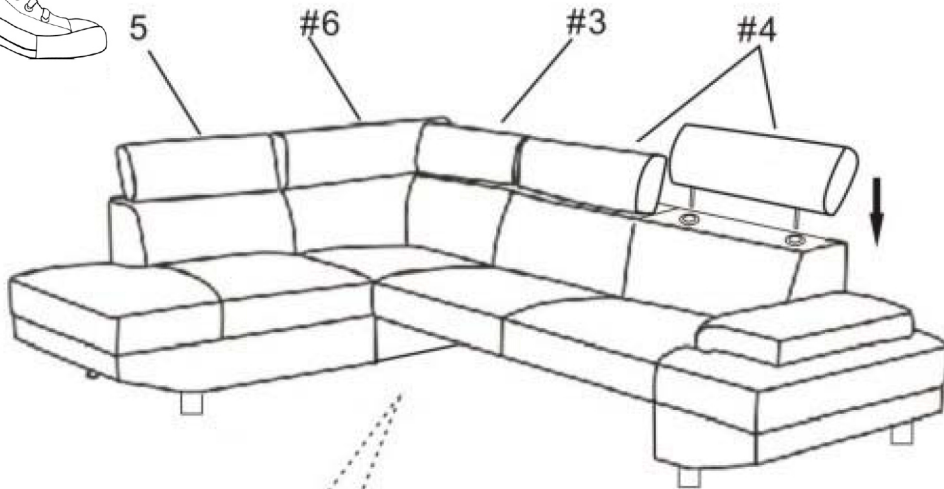
LEGS AND HEADREST FOUND INSIDE

Place the sofa (#2) face down onto a protected surface, then align the legs (#11) to each corner. Insert 4 screws (#D) into each leg and secure using a Phillips screwdriver.

#D X 24PCS



1. Insert the headrests as displayed below.



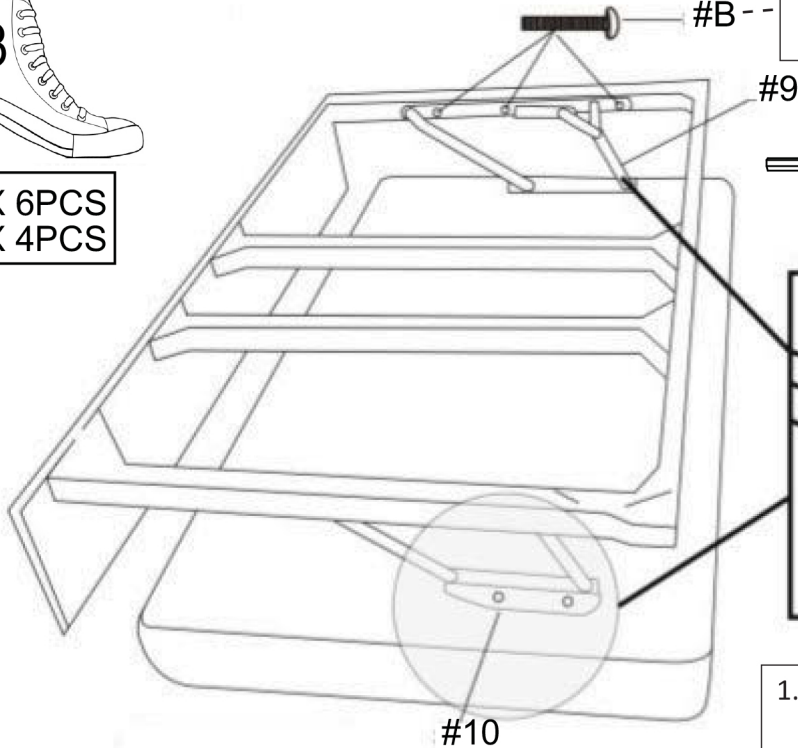
2. Connect the right chaise and left sleeper love seat by sliding the hooks until secured.

Hook

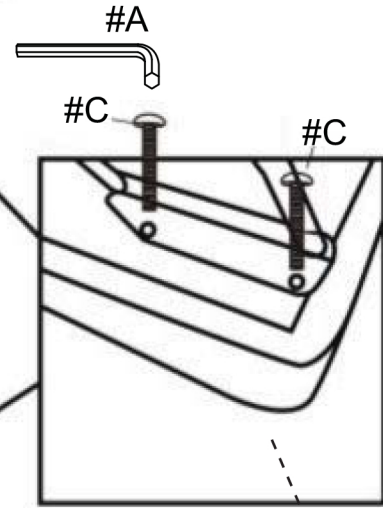


#3

#B X 6PCS  
#C X 4PCS



2. Insert 3 bolts (#B) into the long side and secure using the Allen wrench.

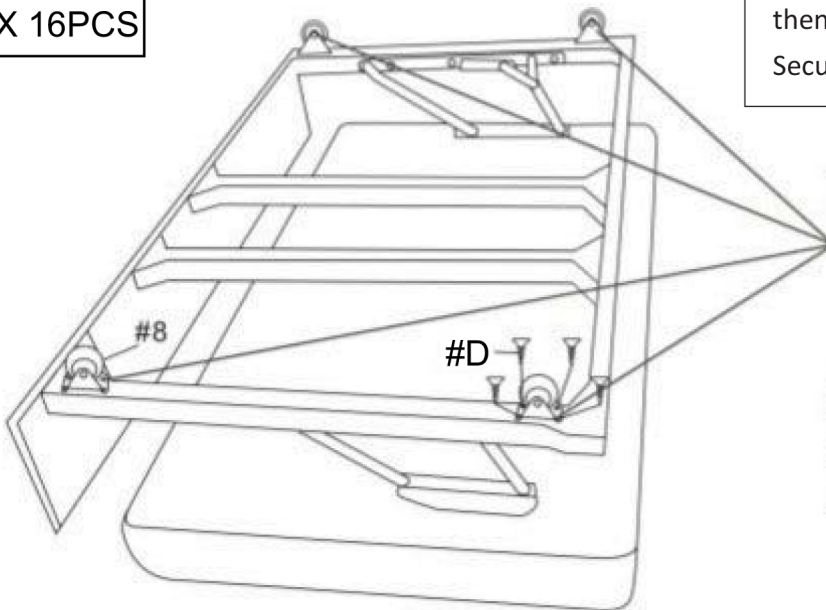


1. Align the left and right connect pieces (#9,10) to the inner holes, then insert 2 bolts (#C) into each. Secure using the Allen wrench (#A).

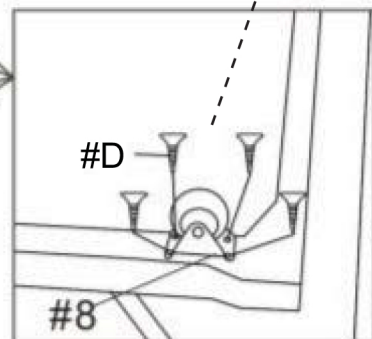


#4

#D X 16PCS



Align the wheels (#8) to each corner, then insert 4 screws (#D) into each. Secure using a Phillips screwdriver.





Push the sleeper part into the bottom of the love seat, as displayed above.



Pull out the sleeper cushion as shown below.



Allow out